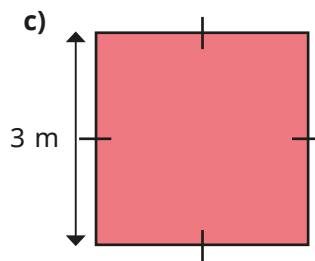
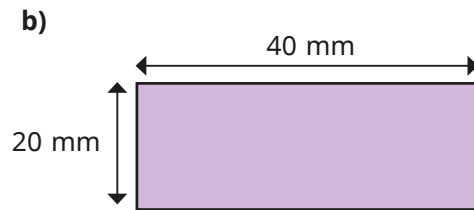
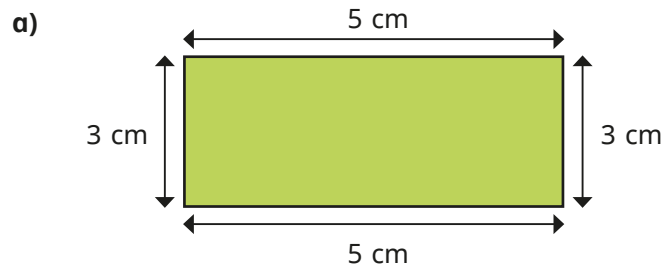
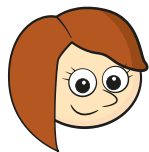
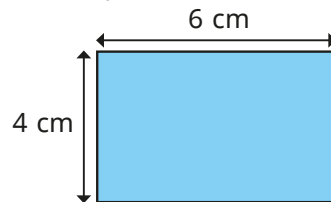


1 Work out the perimeter of each shape.

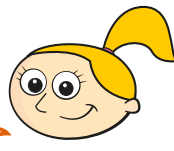


2 Rosie and Eva work out the perimeter of the shape.



Rosie

$6 + 4 = 10$ ,  
so the perimeter  
is 10 cm.

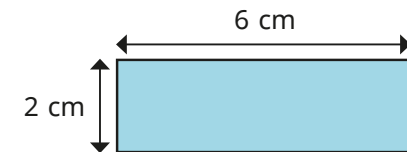
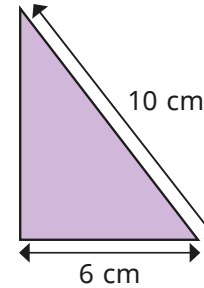
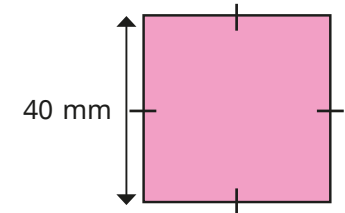
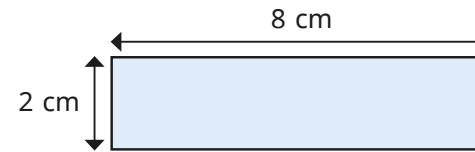


Eva

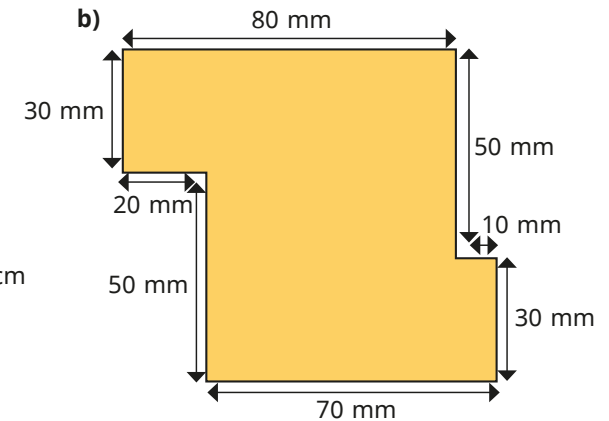
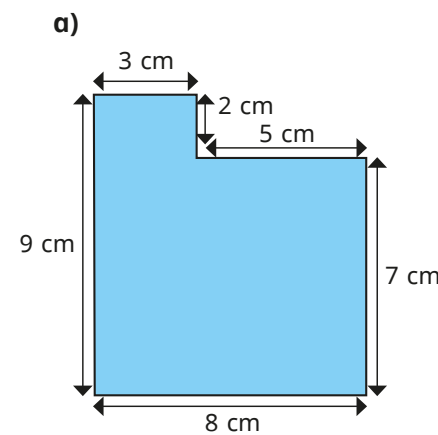
The perimeter  
is 20 cm.

Who is correct? How do you know?

3 Which shapes have a perimeter of 16 cm?

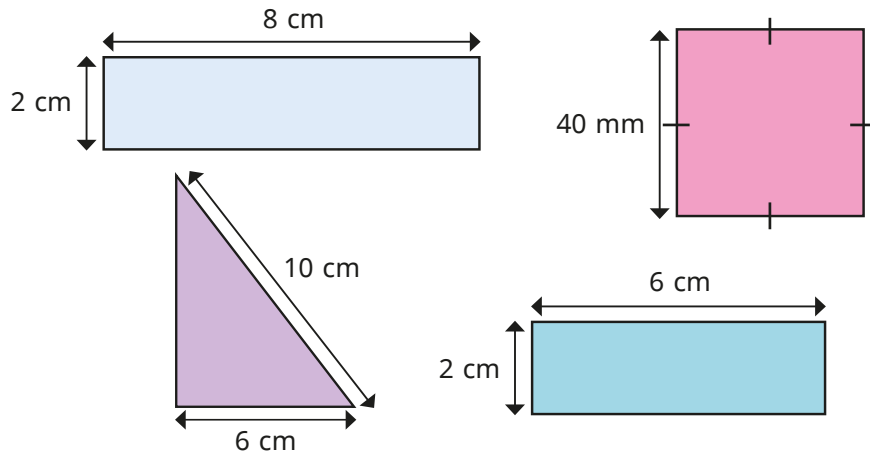


4 Work out the perimeter of each shape.

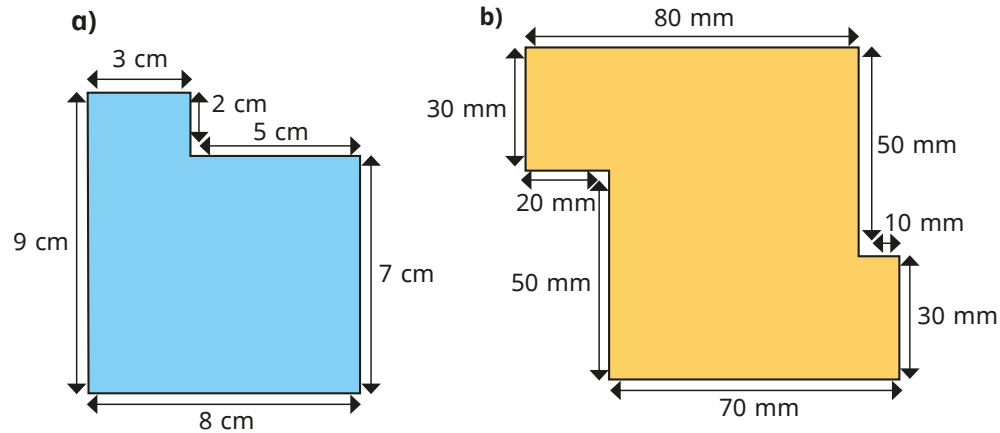


What do you notice?

3 Which shapes have a perimeter of 16 cm?

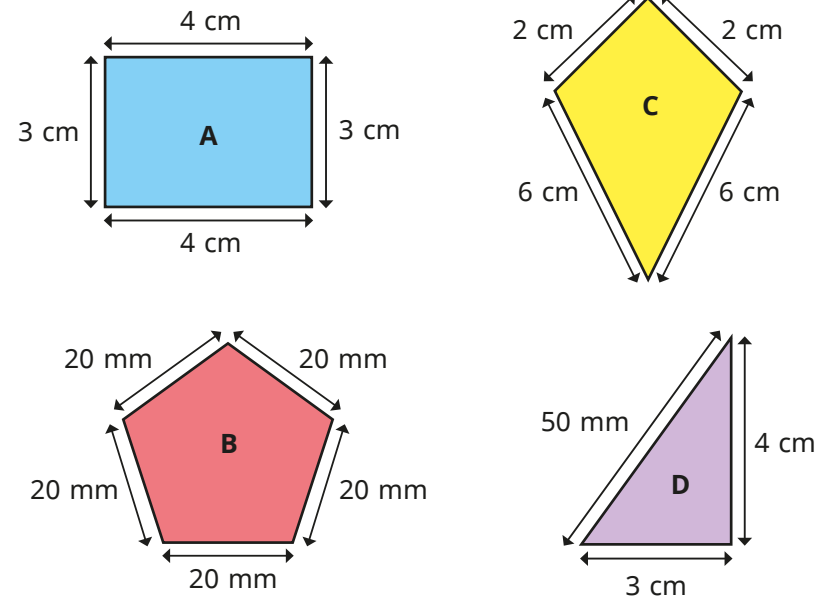


4 Work out the perimeter of each shape.



What do you notice?

5 Put the shapes in order of their perimeters.  
Start with the greatest perimeter.



6 This rectangle has a perimeter of 18 cm.  
Work out the length of side *a*.

